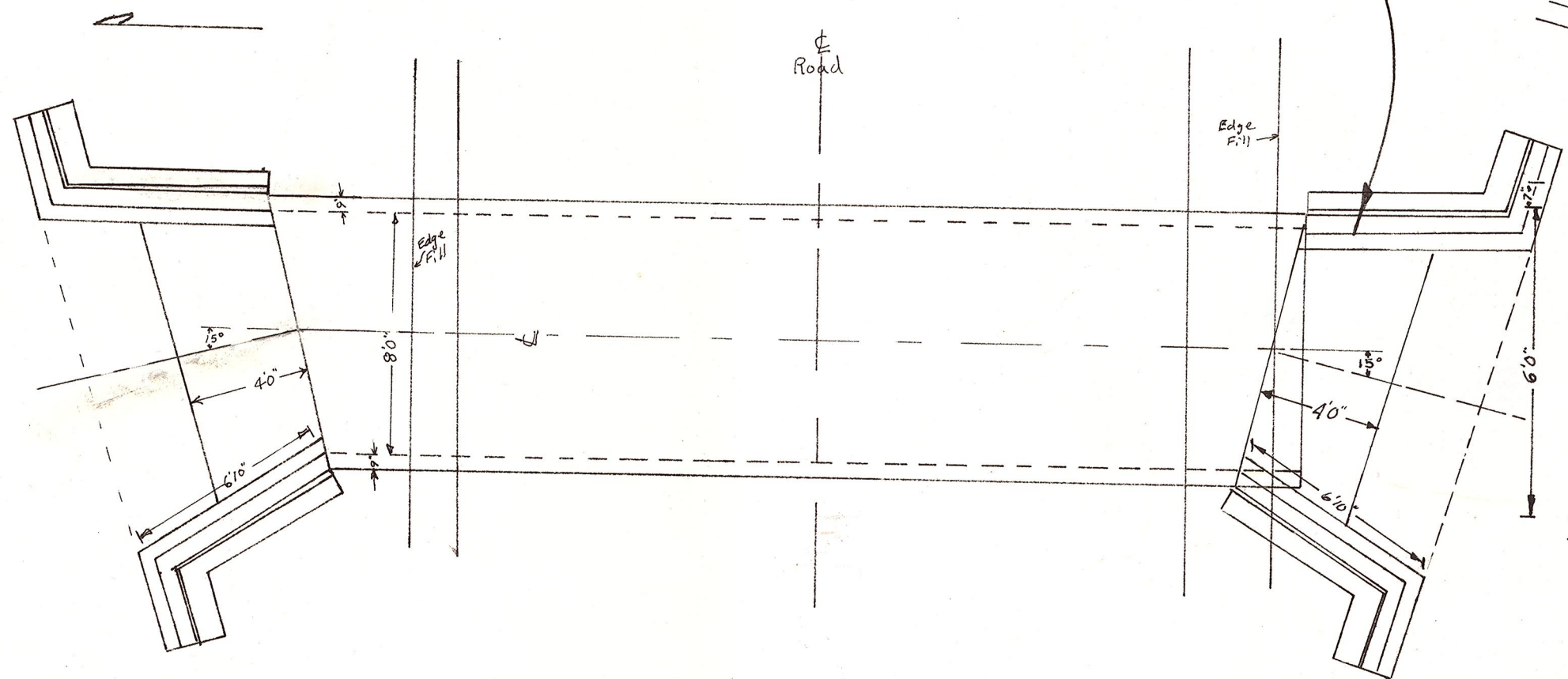
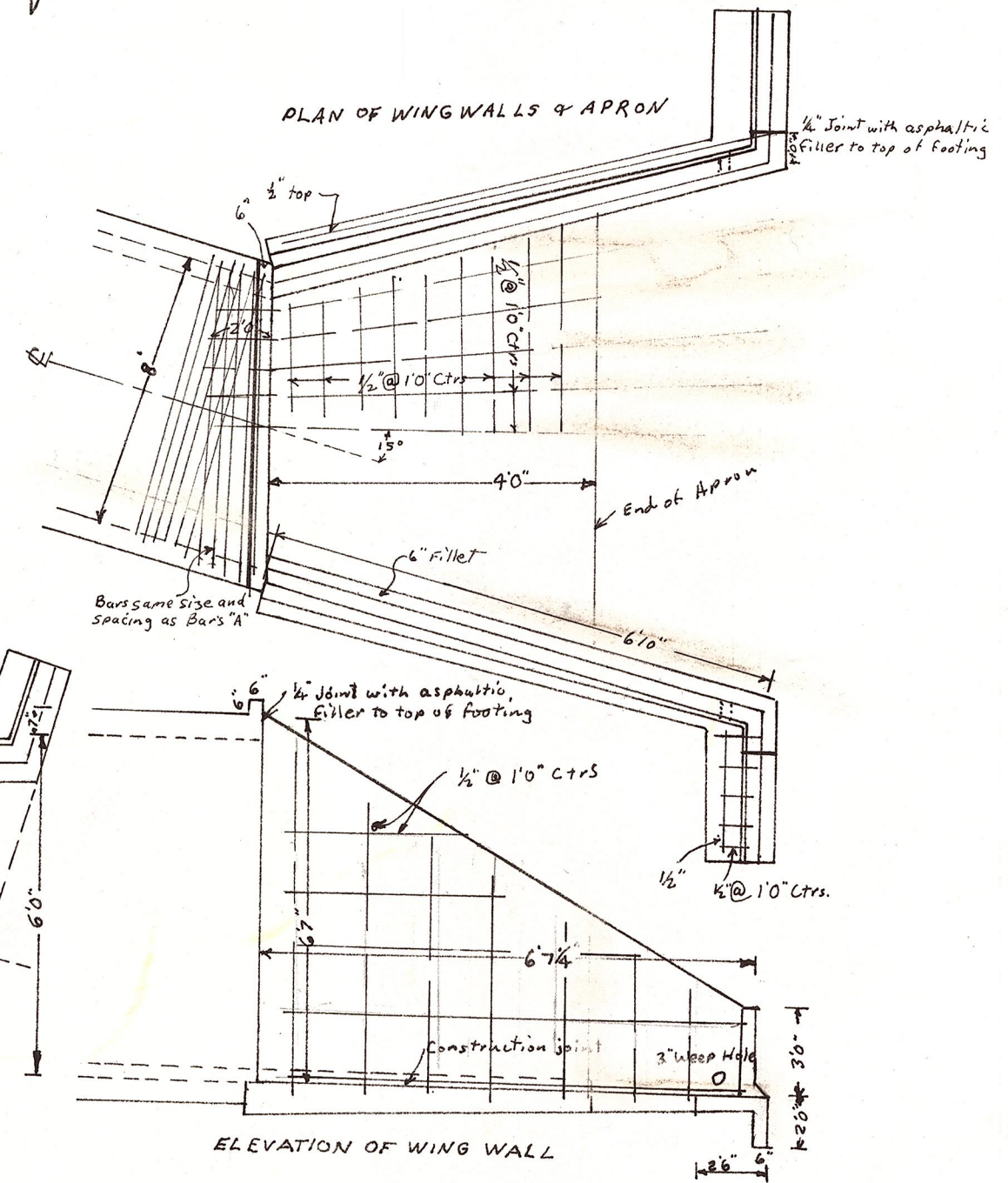
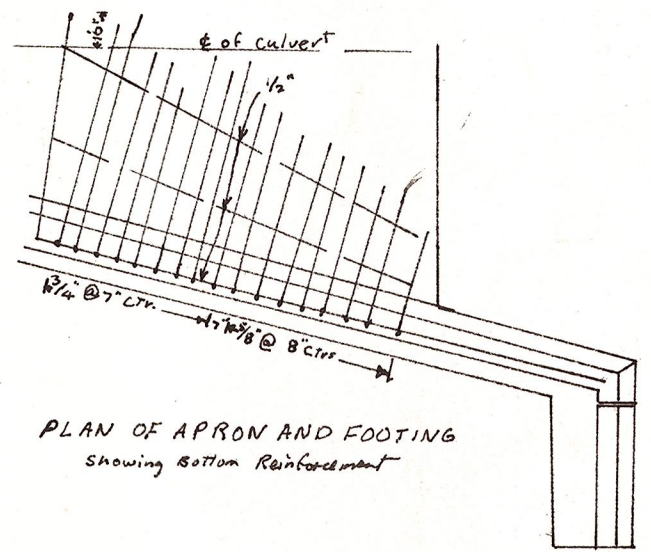


Construct Wingwall

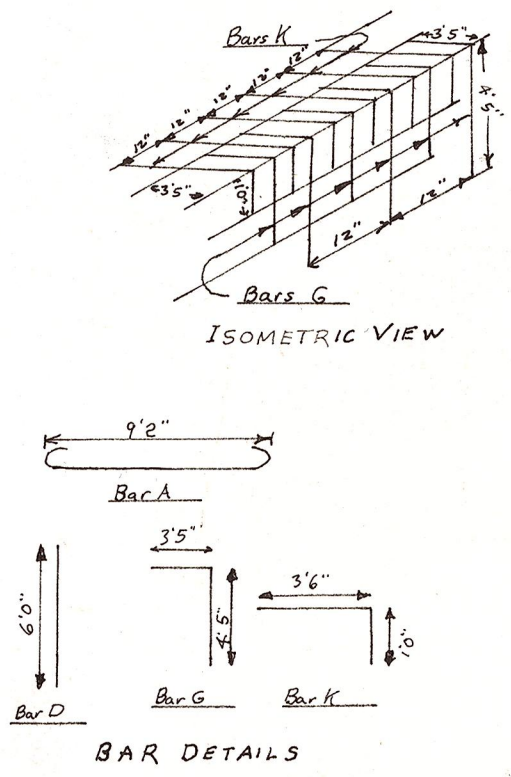
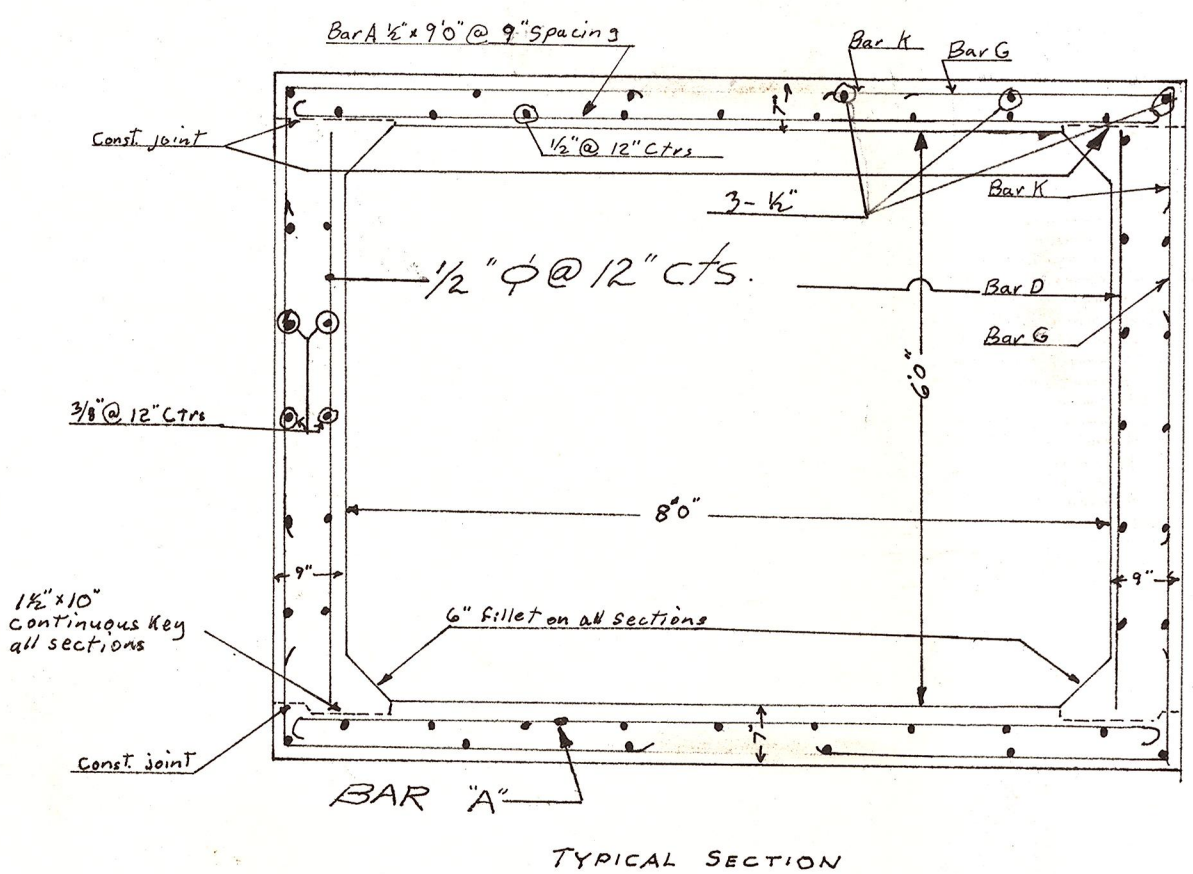
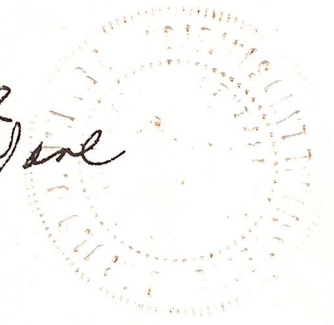


Concrete - Class "A" 6 1/2 Sack Mix
Reinforcing Steel - A.S.T.M. A-15



PLAN OF BOX CULVERT
TO BE INSTALLED ON HOLIDAY AVENUE
AT SCHREIBLY COULEE CROSSING

PREPARED BY JEROLD D. O'HARE
PROFESSIONAL LAND SURVEYOR
Jerold D. O'Hare



Approved 12-29-67

James R. [unclear] - Montana County Eng.