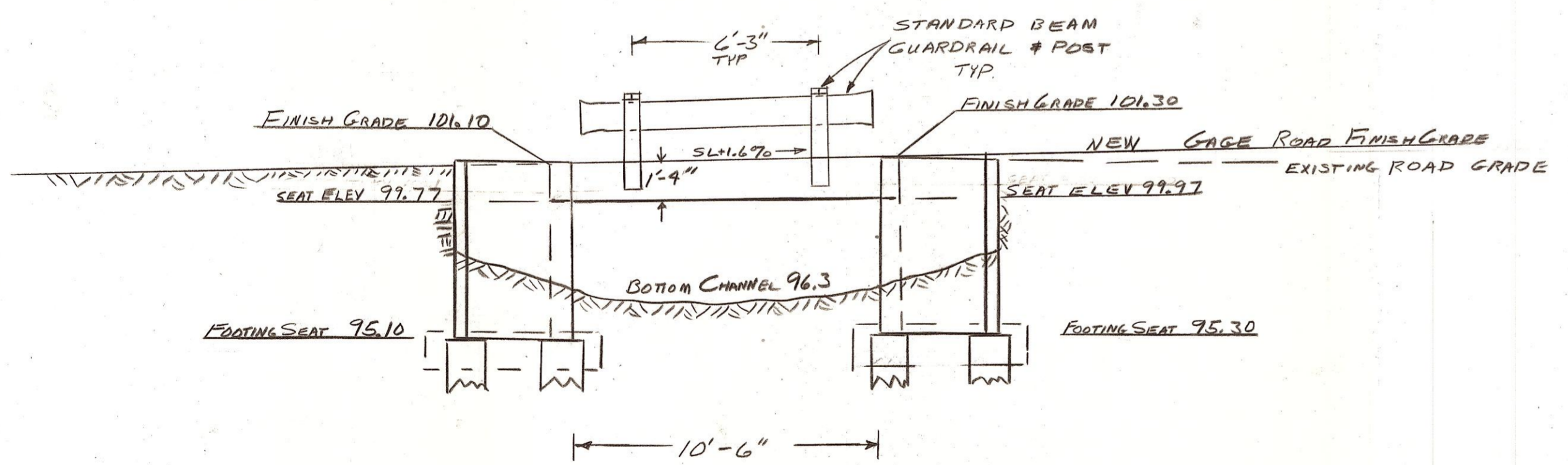


PLAN
SCALE: 1/4" = 1'-0"



ELEVATION
SCALE: 1/4" = 1'-0"

OFFICE OF COUNTY ROAD ENGINEER
KITITAS COUNTY
 ELLENSBURG, WASHINGTON
GAGE ROAD
 BRIDGE # 80081
 OVER TRAIL CREEK

SCALE: 1/4" AS SHOWN CRP 3-77-2

DRAWN BY DJL DATE 6-28-77
 REDRAWN DJL 1-20-78

APPROVED: 8-26-77 DATE

BOON E. BLOOM
 COUNTY ROAD ENGINEER